

<b>Cabinet Type</b>	<b>Multideck Full Height</b>			
<b>Model Designation</b>	<b>ICG</b>			
<b>File Reference</b>	1245			
<b>Document Issue</b>	1	29-08-13	LRC	First Issue
	2	27-03-14	LRC	Added 1250mm cabinet

cabinet **TECHNICAL DATA**

## Cabinet Technical Data Sheet – ICG

Product Type	Meat 3M0
Product Temperature	-1 /+4 °C
Maximum Design Ambient	25°C @ 60%RH

Case Length [m]	3.75	2.50	1.87	2.18	1.25
-----------------	------	------	------	------	------

### Refrigeration Data

Refrigeration Duty (per 24hrs) [kW] ISO3	5.78	3.85	2.89	3.35	1.93
Refrigeration Duty (per 24hrs) [kW] ISO0	4.62	3.08	2.31	2.68	1.54
Evaporating Temperature [°C]	-6	-6	-6	-6	-6
Nett Environment Cooling Effect [kW]	3.54	2.36	1.78	2.07	1.18
Flow Rate kg/s	0.2543	0.1694	0.1272	0.1694	0.0847
Commissioning Valve	445000H	445000S	445000S	445000S	445000S
Pressure Drop Through Cabinet kpa	65.22	29.77	15.00	22.37	14.89
Evaporator Liquid Capacity 100% DTX @ 27% L	14.7	9.5	6.9	8.2	4.9
Refrigeration Pipe Tail – Inlet	22mm	22mm	22mm	22mm	22mm
Refrigeration Pipe Tail – Outlet	22mm	22mm	22mm	22mm	22mm

### Electrical Data (@ 230V 50Hz)

	Watts	Amps	Watts	Amps	Watts	Amps	Watts	Amps	Watts	Amps
Fans (EC EBM)	42	0.18	28	0.12	21	0.09	21	0.09	14	0.06
Solenoid Valve / Controller	10	0.04	10	0.04	10	0.04	10	0.04	10	0.04
Lights	66	0.24	44	0.19	32	0.14	38	0.16	22	0.10
Maximum Load – Off Cycle Defrost	118	0.46	82	0.35	63	0.27	69	0.29	46	0.2

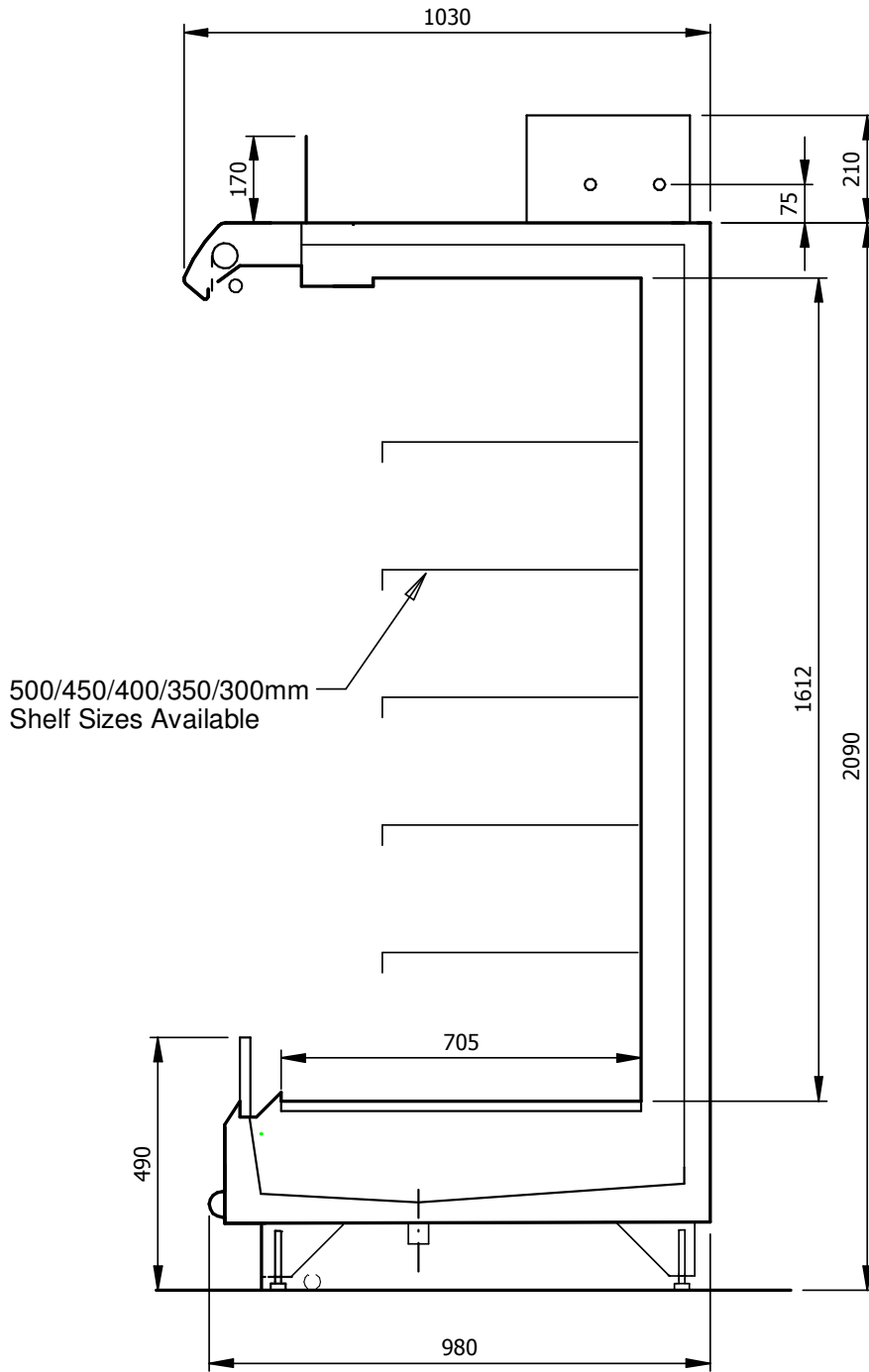
### Miscellaneous Data

Refrigeration Connections	Top of Cabinet LHS
Electrical Connection	Top of Cabinet LHS

### Set-Up Data\*\* O/C Defrost

	Meat
Cut in Temperature [°C]	3
Differential [K]	2
N° Defrosts (per 24hrs)	8
Maximum Defrost Time [mins]	45
Defrost Termination Temp (air off ) [°C]	8
Drain Down Time [mins]	1
Fans in Defrost	On
Cabinet Temperature Ratio (%)	40
Coil TD [K]	
Control Method	Basic

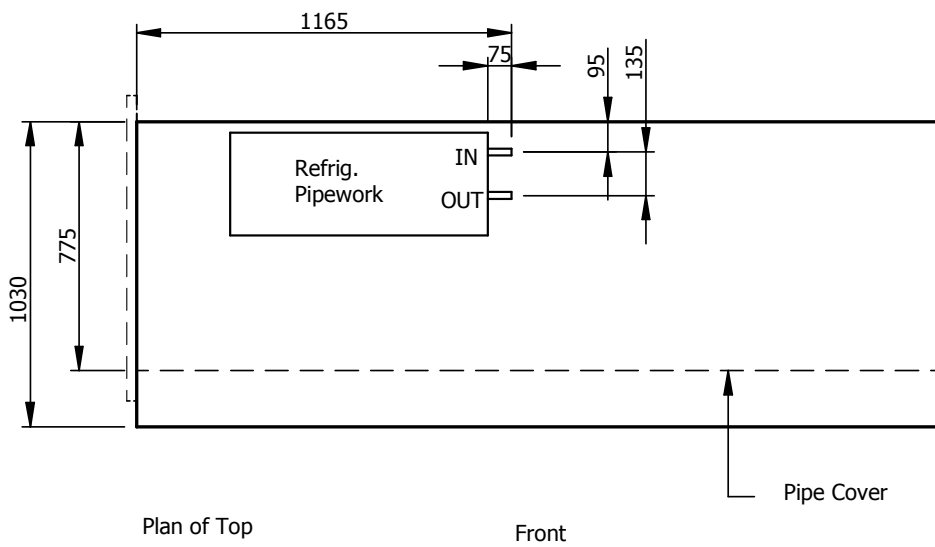
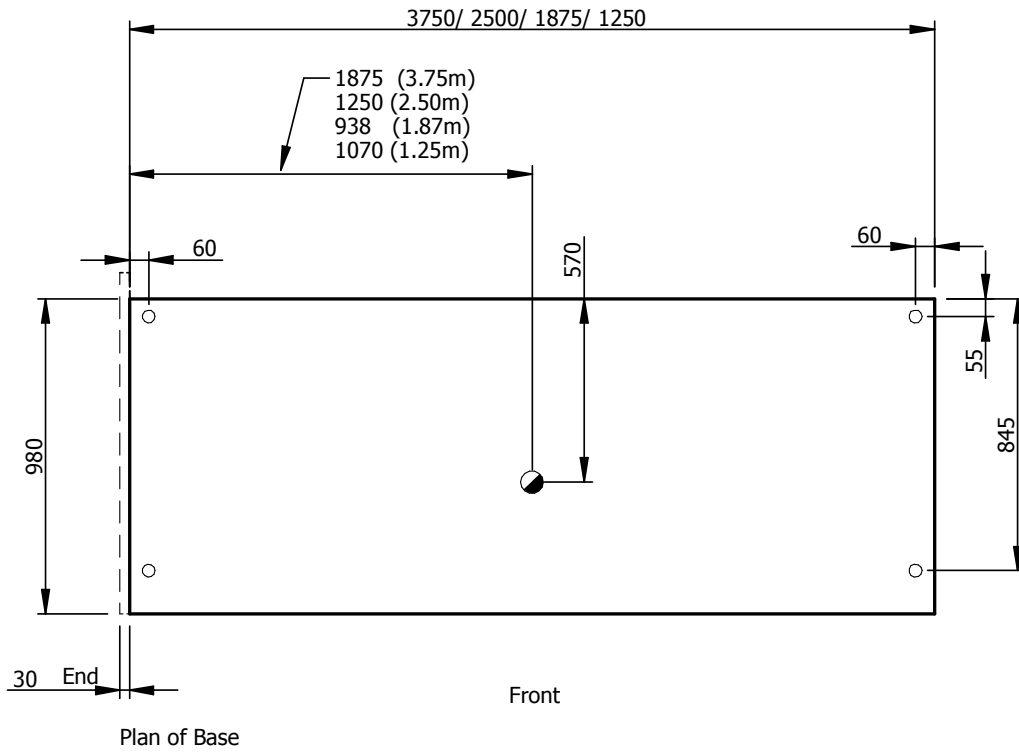
**Section Drawing – ICG**



Ref:- DS1245-01

**Plan Drawing –ICG**

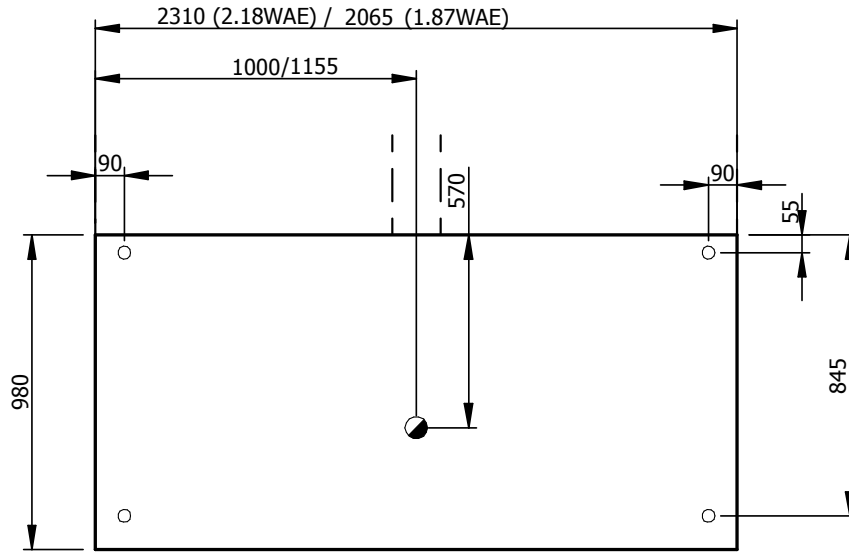
- KEY
- Feet Positions
  - Refrig. Outlets
  - ✕ Refrig Pipe Tails
  - ⊙ Drain Outlets
  - ⊗ Mains Supply



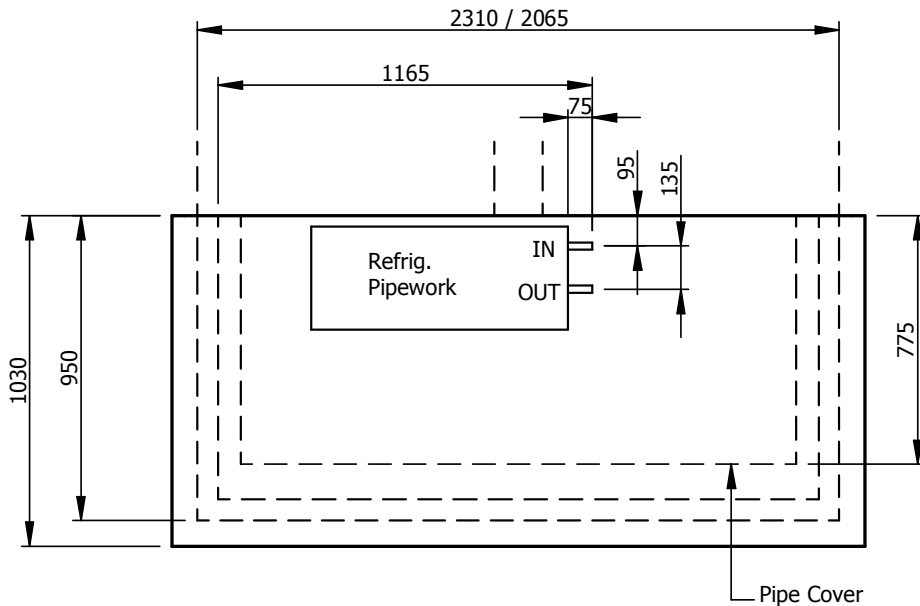
Ref DP1245-01

**Plan Drawing –ICG WAE**

- KEY
- Feet Positions
  - Refrig. Outlets
  - ✕ Refrig. Pipe Tails
  - ◐ Drain Outlets
  - ⊗ Elect. Outlets
  - ⊗ Mains Supply



Plan of Base Front



Plan of Top Front

Ref:- DW1245-01