



RETAIL EQUIPMENT LTD

Cabinet Type	Multideck
Model Designation	IE7
File Reference	1250
Document Issue	1 26-09-13 GR First Issue

cabinet **TECHNICAL DATA**

Cabinet Technical Data Sheet – IE7

Product Type	Fresh Meat and Dairy
Product Temperature	-1°C / 5°C
Maximum Design Ambient	25°C 60%RH

Case Length [m]	2.5m	1.87m	1.25m
------------------------	-------------	--------------	--------------

Refrigeration Data

Nett Environmental Heating Effect Kw	3.9	3.9	2.7
Refrigerant Charge per System R1270	1300g	1000g	800g

Electrical Data (individual loads 230v)	Watts	Amps	Watts	Amps	Watts	Amps
Defrost Heaters	0	0	0	0	0	0
Fans	60	0.26	40	0.17	30	0.13
Trim Heaters	0	0	0	0	0	0
Controller	10	0.04	10	0.04	10	0.04
Canopy Lights	36	0.16	24	0.11	18	0.08
Condenser Fans	35	0.15	28	0.12	21	0.09
Compressor	1976	8.59	1442	6.27	1077	4.68

Electrical Data (@230V 1ph 50Hz)	Watts	Amps	Watts	Amps	Watts	Amps
Maximum Load Normal Running	2117	9.20	1544	6.71	1156	5.02
Maximum Load – Off Cycle Defrost	141	0.51	102	0.44	79	0.34

Miscellaneous Data

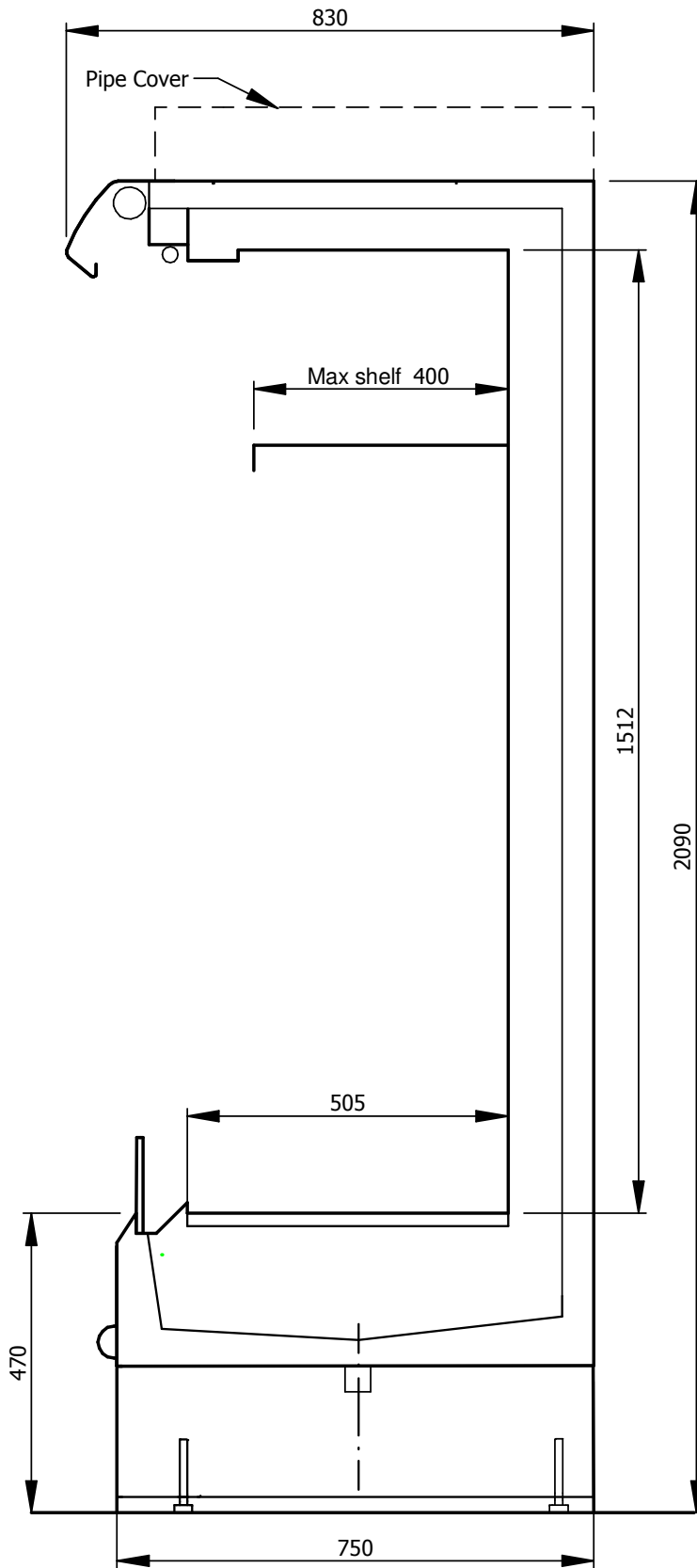
Condensate Pump	Yes	Yes	Yes
Control Panel	Top of Case LHS		
Electrical Connections	Top Rear of Cabinet LHS 16A Commando Plug		

Set-Up Data**	Meat	Dairy
Cut in Temperature [°C]	3	4
Differential [K]	2	2
Cabinet Temperature Ratio (%)	40	40
Anti Cycle Time [Seconds]	180	180
Lag Comp Delay [Seconds] (If Fitted)	180	180
N° Defrosts (per 24hrs)	8	8
Maximum Defrost Time [mins]	45	45
Defrost Termination Temp [°C]	8	8
Drain Down Time [mins]	1	1
Fans in Defrost	On	On
Integral Control	Basic	Basic
Trim Heater Control (%)	N/A	N/A

NOTES! * 12/12 Trading Conditions

** Set-up data is for guidance only. Final settings to be determined by commissioning contractor.

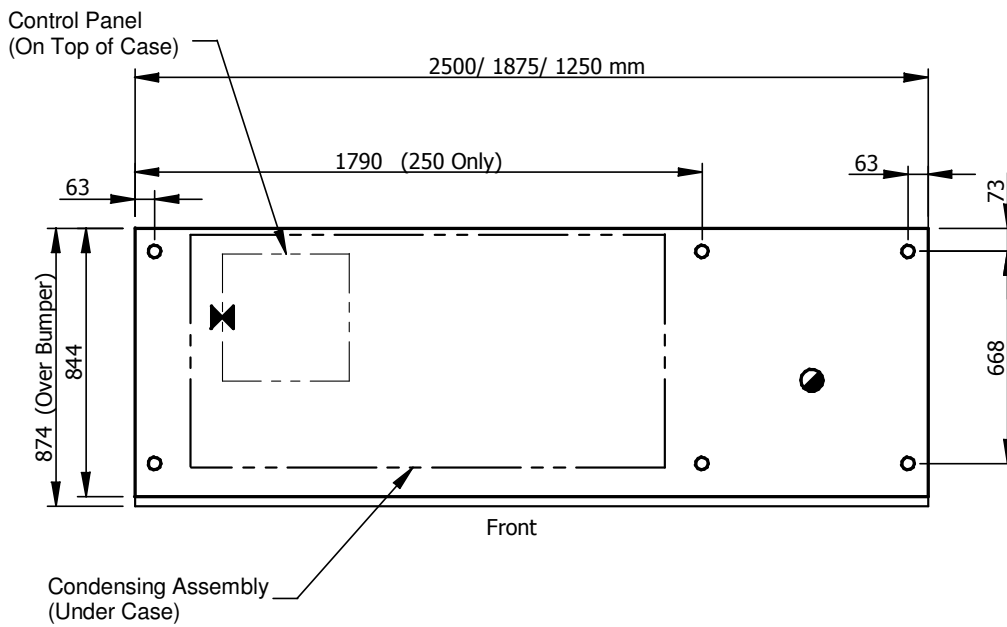
Section Drawing – IE7



Ref:- DS1250

Plan Drawing – IE7

- KEY
- Feet Positions
 - Refrig. Outlet
 - ◐ Drain Outlet
 - ⊗ Elect. Outlet
 - ⊗ Mains Supply



Plan of Base

Ref:- DP1189-01