



RETAIL EQUIPMENT LTD

Case Type	Low Height Multideck			
Model Designation	NG2			
File Reference	1253			
Document Issue	1	10-01-14	LRC	First Issue

cabinet **TECHNICAL DATA**

Cabinet Technical Data Sheet – NG2 Meat

Product Type	Meat 3M0
Product Temperature	-1/+4°C
Maximum Design Ambient	25°C @ 60%RH

Case Length [m]	3.75	2.50	1.87 (WAE)	1.25	2.18 WAE
------------------------	-------------	-------------	-----------------------	-------------	-----------------

Refrigeration Data

Refrigeration Duty (per 24hrs) [kW]	4.44	2.96	2.22	1.49	2.58
Evaporating Temperature [°C] HFC	-6	-6	-6	-6	-6
Evaporating Temperature [°C] R744	-3	-3	-3	-3	-3
Net Environment Cooling Effect [kW]		1.73	1.29	0.87	
R407A AKV Expansion Valve Size	10-5	10-4	10-3	10-3	10-4
R407A T2 Orifice Size	3	2	2	1	2
R404A AKV Expansion Valve Size	10-5	10-4	10-4	10-3	10-4
R404A T2 Orifice Size	4	3	2	1	3
R744 AKVH Expansion Valve Size	10-5	10-4	10-3	10-2	10-3
Refrigeration Pipe Tail – Liquid HFC and R744	3/8"	3/8"	3/8"	3/8"	3/8"
Refrigeration Pipe Tail – Suction HFC	7/8"	7/8"	7/8"	7/8"	7/8"
Refrigeration Pipe Tail – Suction HFC	1/2"	1/2"	1/2"	1/2"	1/2"

Electrical Data (@ 230V 50Hz)

	Watts	Amps	Watts	Amps	Watts	Amps	Watts	Amps	Watts	Amps
Fans (EC EBM)	42	0.28	28	0.12	21	0.09	21	0.09	28	0.12
Solenoid Valve / Controller	10	0.04	10	0.04	10	0.04	10	0.04	10	0.04
Canopy Lights	180	0.78	120	0.52	72	0.31	48	0.21	52	0.23
Maximum Load – Off Cycle Defrost	232	1.1	158	0.68	103	0.44	79	0.34	90	0.39

Miscellaneous Data

Drain Outlet	32mm Plastic
Refrigeration Connections	Underside of Cabinet LHS
Electrical Connection	Underside of Cabinet LHS

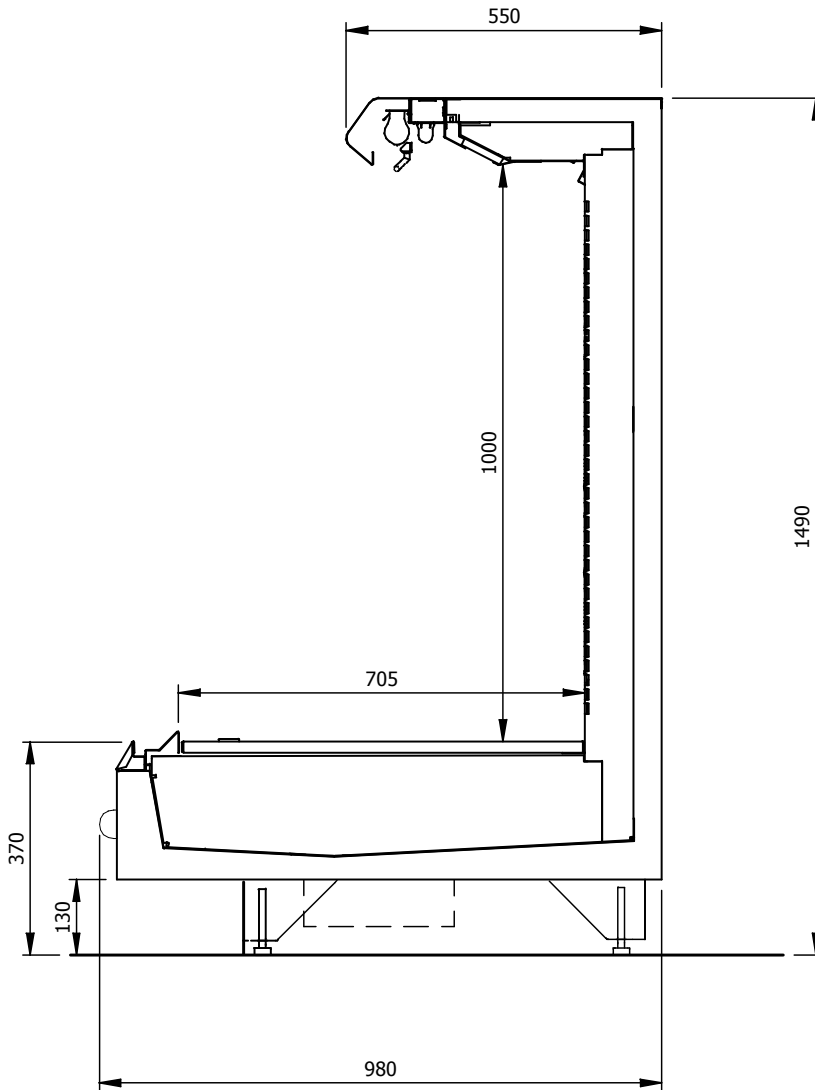
Set-Up Data**

	Meat	Dairy
Cut in Temperature [°C]	3.0	4.0
Differential [K]	1.0	1.0
N° Defrosts (per 24hrs)	8	8
Maximum Defrost Time [mins]	45	45
Defrost Termination Temp (air off) [°C]	7	7
Drain Down Time [mins]	01:30	01:30
Fans in Defrost	On	On
Cabinet Temperature Ratio (%)	50	50
Superheat [K]	6	6

NOTES!

** Set-up data is for guidance only. Final settings to be determined by commissioning contractor.

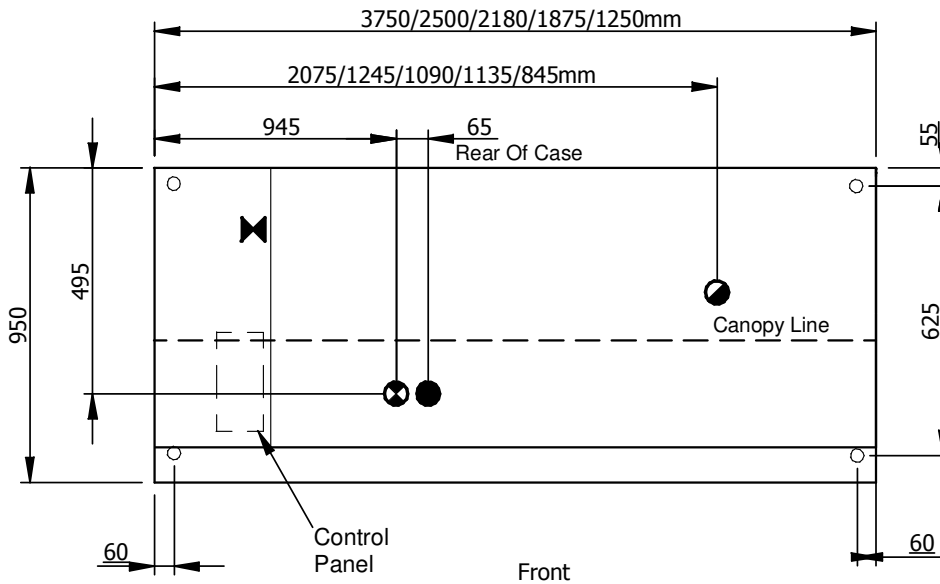
Section Drawing –



Ref:- DS1132

Plan Drawing –

- KEY
- Feet Positions
 - Refrig. Outlet
 - ◐ Drain Outlet
 - ⊗ Elect. Outlet
 - ⊕ Mains Supply

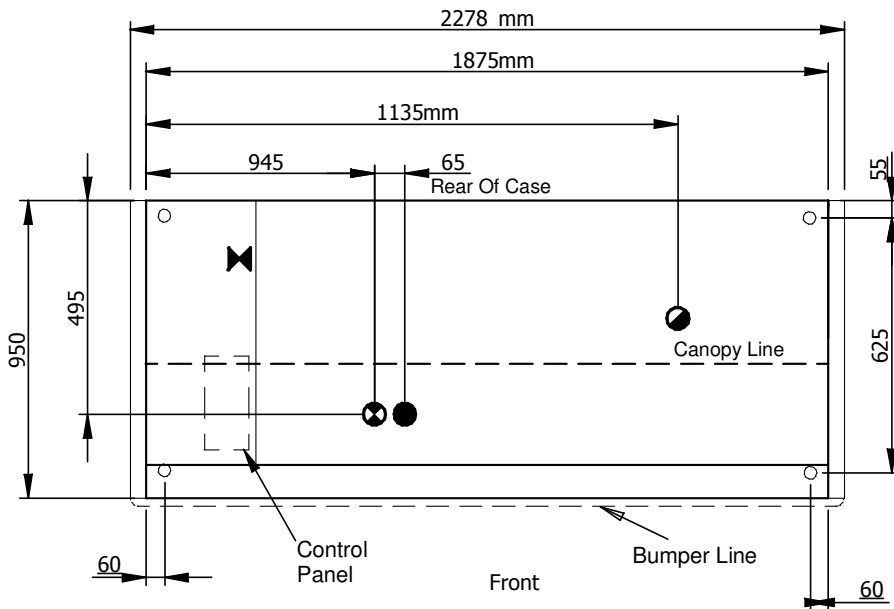


Plan of Base

Ref:- DP1132

Plan Drawing WAE –

- KEY
- Feet Positions
 - Refrig. Outlet
 - ◐ Drain Outlet
 - ⊗ Elect. Outlet
 - ⊗ Mains Supply



Plan of Base

Ref:- DP1132