



RETAIL EQUIPMENT LTD

| | | | | |
|--------------------------|--------------------------------------|----------|-----|-------------|
| Cabinet Type | MultiDeck Full Height Roll-in | | | |
| Model Designation | RF6 | | | |
| File Reference | 1243 | | | |
| Document Issue | 1 | 14-08-13 | LRC | First Issue |

cabinet **TECHNICAL DATA**

Cabinet Technical Data Sheet – RF6 Milk & Juice

| | |
|------------------------|--------------------|
| Product Type | Milk & Juice / 3M1 |
| Product Temperature | -1 / +5°C |
| Maximum Design Ambient | 25°C @ 60RH |

| | | |
|------------------------|-------------|-------------|
| Case Length [m] | 3.75 | 2.50 |
|------------------------|-------------|-------------|

Refrigeration Data

| | | |
|---|--------|----------|
| Refrigeration Duty (per 24hrs) [kW] ISO3 | 7.70 | 5.13 |
| Secondary Fluid Temperature [°C] | -6 | -6 |
| Nett Environment Cooling Effect [kW] | 4.62 | 3.08 |
| Flow Rate kg/s | 0.3388 | 0.2257 |
| Commissioning Valve | High | Standard |
| Pressure Drop through Cabinet kpa | 91.67 | 40.39 |
| Evaporator Liquid Capacity 100% DTX @ 27% L | 17.7 | 11.6 |
| Refrigeration Pipe Tail Inlet | 22mm | 22mm |
| Refrigeration Pipe Tail Outlet | 22mm | 22mm |

Electrical Data (@ 230V 50Hz)

| | Watts | Amps | Watts | Amps |
|----------------------------------|-------|------|-------|------|
| Fans (EC EBM) | 63 | 0.27 | 42 | 0.18 |
| Solenoid Valve / Controller | 10 | 0.04 | 10 | 0.04 |
| Lights | 54 | 0.23 | 36 | 0.15 |
| Maximum Load – Off Cycle Defrost | 127 | 0.54 | 88 | 0.37 |

Miscellaneous Data

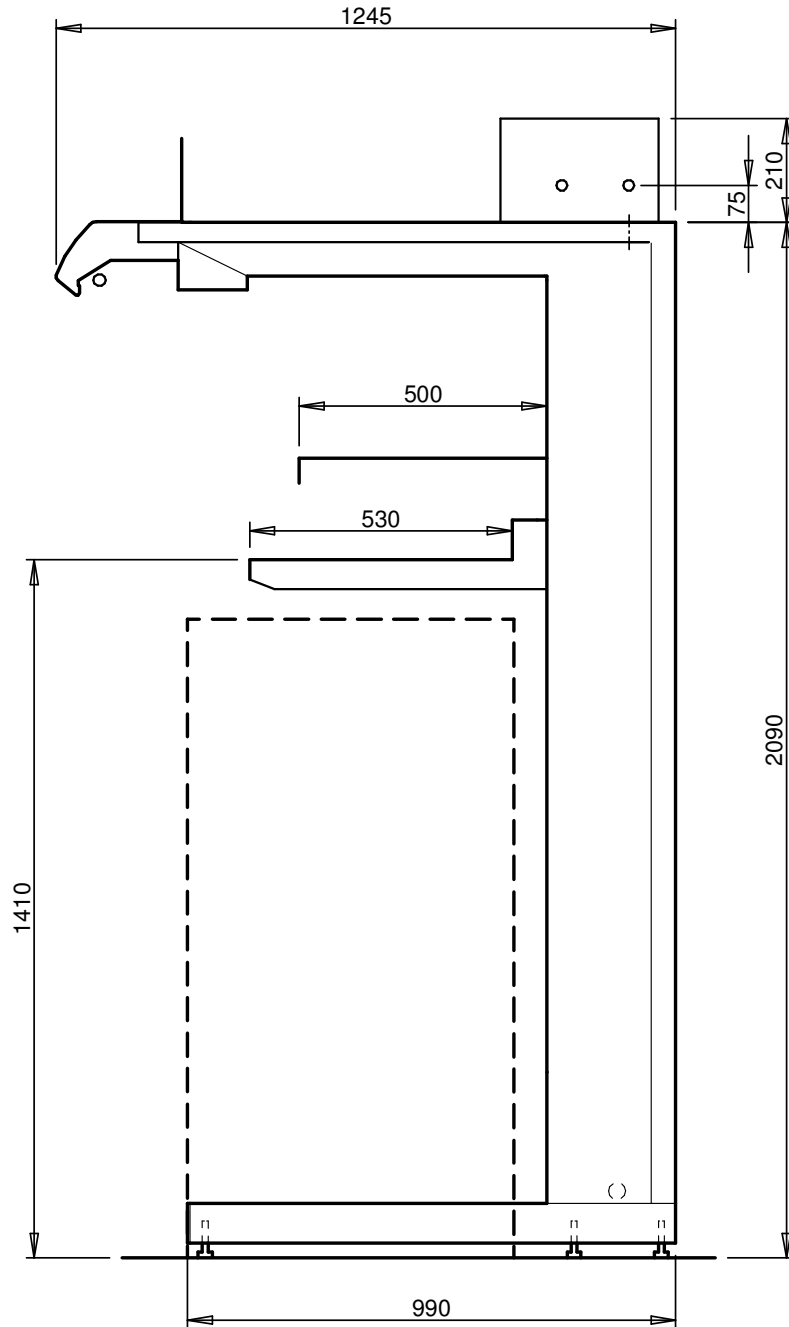
| | |
|---------------------------|--------------------|
| Refrigeration Connections | Top of Cabinet LHS |
| Electrical Connection | Top of Cabinet LHS |

Set-Up Data** O/C Defrost

| | |
|---|----|
| Cut in Temperature [°C] | 1 |
| Differential [K] | 1 |
| N° Defrosts (per 24hrs) | 8 |
| Maximum Defrost Time [mins] | 40 |
| Defrost Termination Temp (air off) [°C] | 9 |
| Drain Down Time [mins] | 1 |
| Fans in Defrost | On |
| Cabinet Temperature Ratio (%) | 66 |
| Superheat [K] | 4 |

NOTES! * for R22 multiply by factor X 0.90
 ** Set-up data is for guidance only. Final settings to be determined by commissioning contractor.

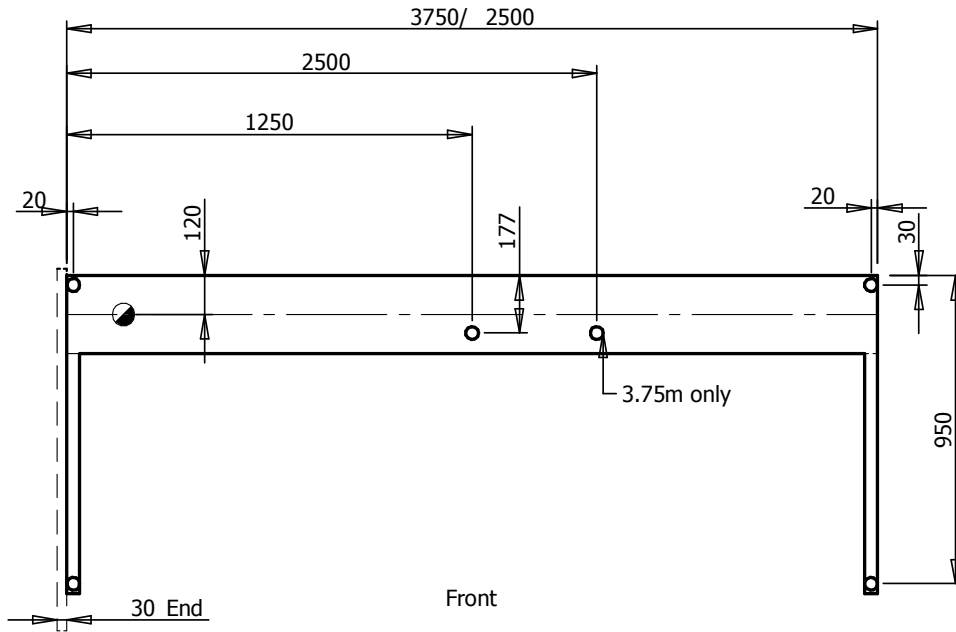
Section Drawing – RF6



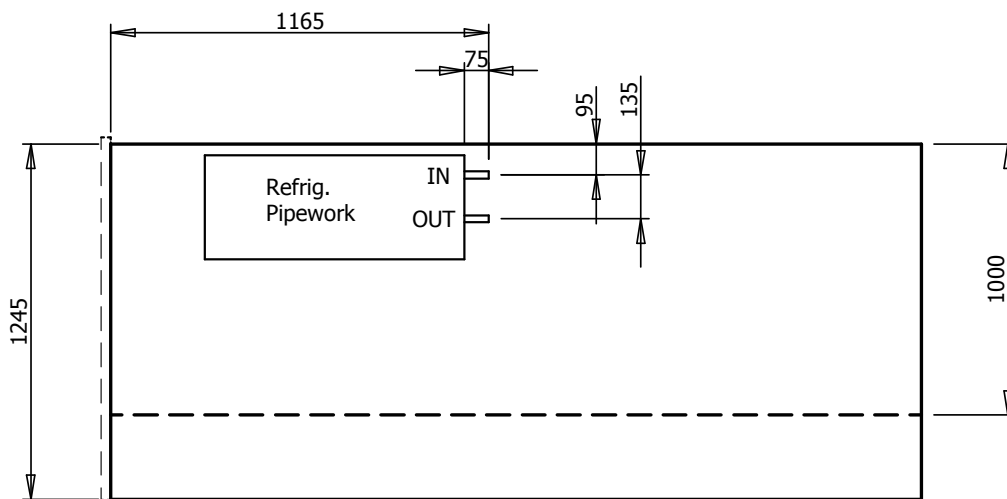
Ref:- DS1243-01

Plan Drawing – RF6

- KEY
- Feet Positions
 - Refrig. Outlets
 - ◐ Drain Outlets
 - ⊗ Electric outlet from case



Plan of Base



Plan of Top

Front

Ref:- DP1243-01